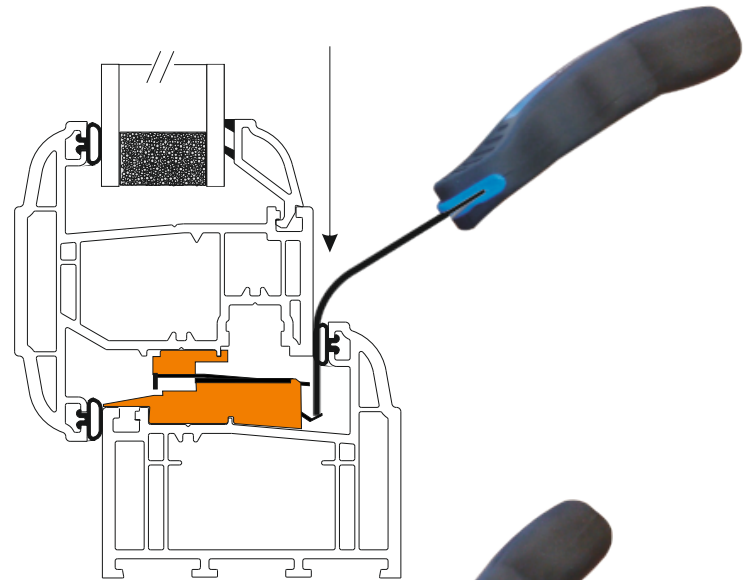
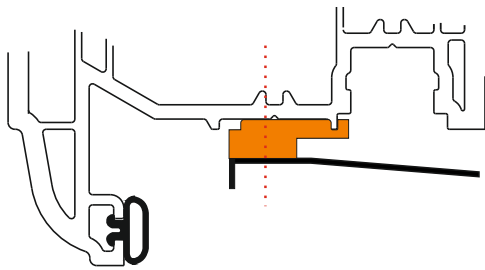
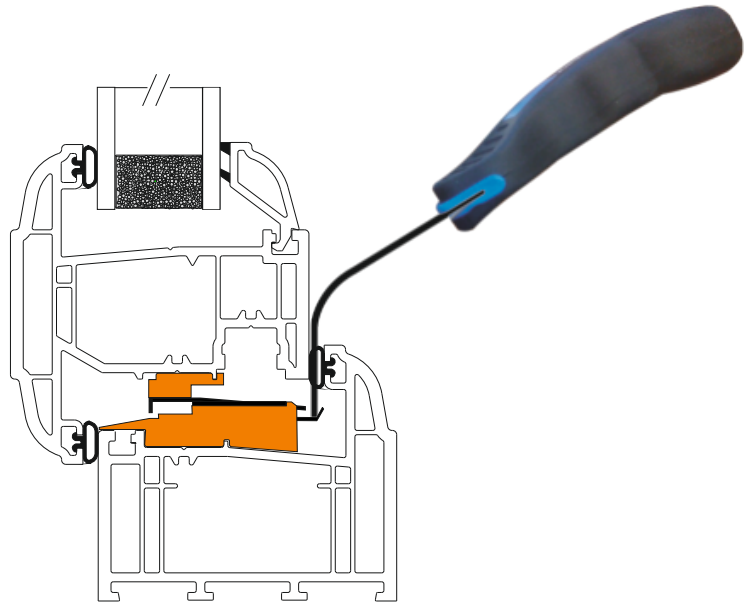
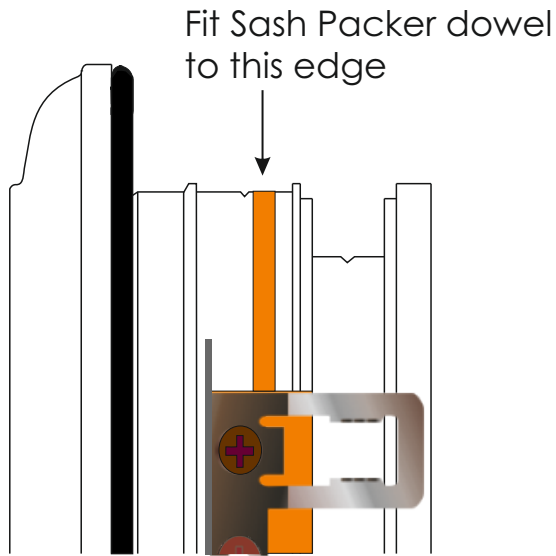
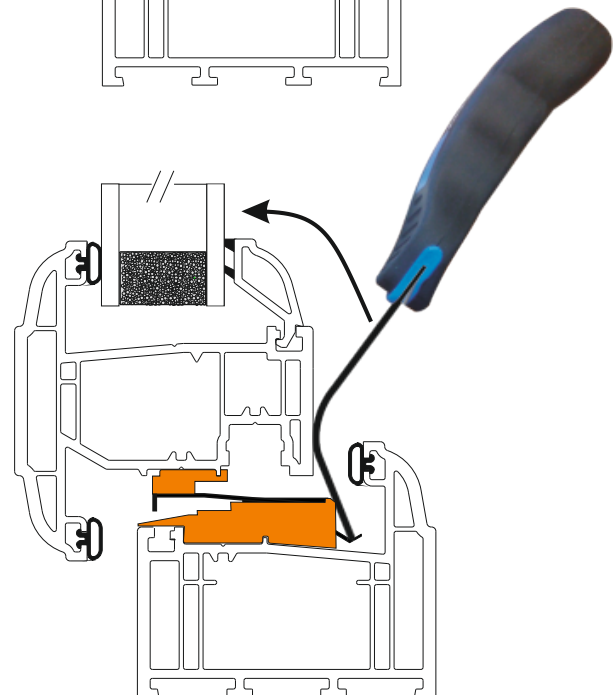
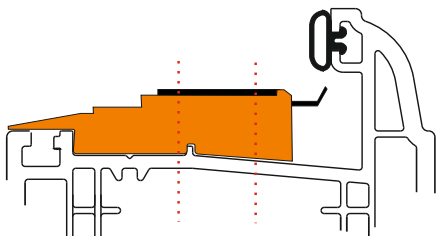


Spectus Elite 70

(Part No. DSP02W)



Screw centres



Drawings are not to scale
Reinforcing and fixing screws
have been omitted for clarity



Patent No. GB2445676B

